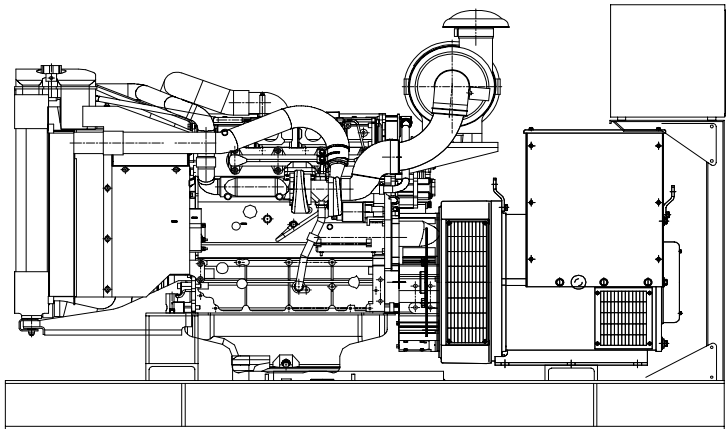


CUKUROVA GENERATOR SYSTEMS

1500 Rpm, 50Hz, 400V

Volvo TAD531GE diesel engine

Leroy Somer LSA 44.2 VS45 alternator



Standard Generator Features

- ◊ AMF, Automatic mains failure unit
- ◊ Heavy duty type, 4 cylinder, water cooled engine
- ◊ 60°C tropical type radiator
- ◊ Starter motor
- ◊ Lead acid battery
- ◊ Charging alternator
- ◊ Battery charge redressor
- ◊ Heavy duty, brushless type alternator
- ◊ Base frame with anti-vibration units
- ◊ Industrial type silencers
- ◊ Flexible exhaust compensator
- ◊ Block water heater unit
- ◊ Control panel with digital-automatic main control module
- ◊ Fan, fan drive, charging alternator drive and all rotating parts covered
- ◊ Radiator matrix covered by metal mesh against the mechanical damages
- ◊ Fabricated and welded steel base frame
- ◊ Anti-vibration mountings
- ◊ Engine and alternator manufacturer test reports
- ◊ Factory load, performance and function tests

Optional Features

- ◊ Automatic load transfer panel
- ◊ Automatic synchronization and power sharing systems
- ◊ Soundproof canopy
- ◊ Container type enclosures
- ◊ Road trailer
- ◊ Job-site trailer
- ◊ Protection circuit breaker
- ◊ Air start
- ◊ Remote type radiator
- ◊ Base fuel tank
- ◊ External type fuel tank
- ◊ Automatic fuel transfer system
- ◊ Residential silencer



Model	Standby		Prime	
	kVA	kW	kVA	kW
CJ110VL	111	88	100	80

APPLICATION DATA

Volvo TAD531GE Engine

Standard Features

The TAD531GE is a powerful, reliable and economical Generating Set diesel

Durability & low noise levels

Designed for easiest, fastest and most economical installation. Well-balanced to produce smooth and vibration-free operation with low noise level.

Low exhaust emission levels

The state of the art, high-tech injection and charging system with low internal losses contributes to excellent combustion and low fuel consumption.

The TAD531GE is certified for EU Stage2 exhaust emission regulations.

Easy service & maintenance

Easily accessible service and maintenance points contribute to the ease of service of the engine.

Model	Standby kW		Prime kW	
	Gross	Net	Gross	Net
TAD531GE	102	98	92	88

Cooling System

Type	Tropical, heavy duty type
Ambient temperature, °C	60
Engine+Radiator coolant cap., Liters	19.7
Jacket coolant flow, Liters / sec	2.71
◊Efficient cooling system thermostatically controlled	
◊Belt driven coolant pump	
◊Fan guard	
◊Belt guard	

Technical Description

- ◊Optimized cast iron cylinder block with optimum distribution of forces
- ◊Piston cooling for low piston temperature and reduced ring temperature
- ◊Drop forged connection rods
- ◊Crankshaft hardened bearing surfaces and fillets for moderate load on main and bigend bearings
- ◊Keystone top compression rings for long service life
- ◊Replaceable valve guides and valve seats
- ◊Three PTO positions at flywheel end
- ◊Lift eyelets
- ◊
- ◊

Features

- ◊
- ◊Governor with can-bus communication
- ◊Compact design
- ◊High power to weight ratio
- ◊Emissions compliant
- ◊Noise optimized engine design

Technical Specifications

Manufacturer	VOLVO
Model	TAD531GE
Type	4 cycle, water-cooled, diesel engine
Number of cylinders	4
Cylinder arrangement	In-line
Displacement, Liters	4.76
Bore X Stroke, mm	108 X 130
Compression Ratio	18:1
Combustion System	Direct injection
Aspiration	Turbocharged, air-to-air intercooled
Rotation	Anti-clockwise viewed towards flywheel
Gross engine power, kWb	102
Fan Power, kWm	4
BMEP gross, bar	17
Exhaust gas temp.(after turbo), °C	557
Exhaust gas flow (after turbo),m ³ / min	18.4

Fuel System

Type of injection system	Direct injection
Fuel injection pump	Bosh single injection pump
Total Fuel flow, Liter/h	360
Governor type	Heinzmann EDC4
◊Six hole fuel injection nozzles	
◊ Direct injection unit pumps	
◊Washable fuel prefilter with water seperator	
◊Rotary low pressure fuel pump	
◊Fine fuel filter of disposable type	

Fuel Consumption

grams per kWh	%100 Load	219 g/kWh
	%75 Load	217 g/kWh
	%50 Load	221 g/kWh
	%25 Load	244 g/kWh

Lubricating System

Type	Pressurized
Capacity, Liters	13
Lub oil pressure , bar	4
◊Oil dipstick	
◊Full flow disposable spin-on oil filter, for extra high filtration	
◊Rotary type lubricating oil pump driven by crankshaft	

Electrical System

Alternator	Bosh, 12 Volt, 55Amp
Starter motor (DC)	Bosh / EV
Starter motor power	3.1 kW

Leroy Somer LSA 44.2 VS45 Alternator

Standard Features

Top of the Range Electrical Performance

Class H insulation
 Standard 12-wire re-connectable winding, 2/3 pitch
 High efficiency and motor starting capacity
 R 791 interference suppression conforming to standard EN 55011 group 1
 class B standard for European zone (CE marking)

Protection System Suited to the Environment

The LSA 44.2 is IP23

Reinforced Mechanical Structure Using Finite Element Modelling

Compact and rigid assembly to better withstand generator-set vibrations
 Steel frame
 Cast iron flanges and shields
 Twin-bearing and single bearing versions designed to be suitable for engines on the market
 Half-key balancing
 Greased for life bearings (regreasable bearings optional)

Accessible Terminal Box Proportioned for Optional Equipment

Easy access to the voltage regulator and to the connections
 Possible inclusion of accessories for paralleling, protection and measurement
 8 way terminal block for reconnecting voltage reconnection

Compliant with International Standards

The LSA 44.2 alternator conforms to the main international standards and regulations:

IEC 60034, NEMA MG 1.22, ISO 8528, CSA, CSA/UL

It can be integrated into a CE marked generator set

The LSA 44.2 is designed, manufactured and marketed in an ISO 9001 environment

Model	Standby		Prime	
	kVA	kW	kVA	kW
LSA 44.2 VS45	116	92	105	84

Technical Specifications

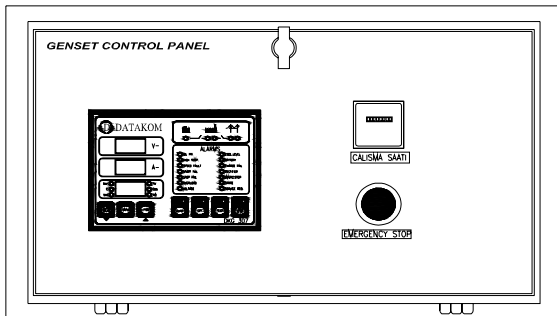
Manufacturer	LEROY SOMER
Model	LSA 44.2 VS45
Type	4-Poles, Rotating Field, Brushless
Standby power at rated voltage, kVA	116
Efficiency, %	90,3
Power factor	0.8
Phase	3
Frequency, Hz	50
Speed, Rpm	1500
Voltage, V	400
Excitation	Shunt
Stator windings	2/3 Pitch factor
Regulation	AVR, Automatic Voltage Regulator
Voltage Regulator	R 230
Voltage Regulation, %	± 0.5
Total Harmonic TGH / THC	at no load < 1.5% - on load < 2%
Waveform: NEMA = TIF	< 50
Waveform: I.E.C = THF,	< 2%
Insulation class	H
Overspeed, Rpm	2250
Construction	Single bearing, direct coupled
Coupling	Flexible
Amortisseur Windings	Full
Connection	WYE
Rotor	Dynamic balanced
Protection class	IP23
Air flow, m ³ / min	0,37

Optional Equipment

- ◊ Filters on air inlet and air outlet (IP44)
- ◊ Windign protection for clean environments with relative humidity greater than 95%
- ◊ Space heaters
- ◊ Thermal protection for winding
- ◊ Digital voltage regulator
- ◊ PMG system

Control Panel

Standard Equipments



- ◊Datakom DKG307 digital automatic control module
- ◊Hourmeter
- ◊Emergency stop button

Datakom DKG307 Control Module

Description

◊The DKG-307 is a comprehensive AMF unit for a single generating set operating in standby mode.

◊In AUTOMATIC position, DKG-307 monitors mains phase voltages and controls the automatic starting, stopping and load transfer of the generating set in case of a mains failure and once the generator is running, it monitors internal protections and external fault inputs. If a fault condition occurs, the unit shuts down the engine automatically and indicates the failure source with the corresponding red led lamp.

◊The DKG-307 provides a comprehensive set of digitally adjustable timers, threshold levels, input and output configurations and operating sequences. The unauthorized access to program parameters is prevented by the program lock input. All programs may be modified via front panel pushbuttons, and do not require an external unit.

◊The fault conditions are considered in 2 categories as Warnings and Alarms. Measured values have separate programmable limits for warning and alarm conditions.

◊The service request indicator lamp turns on at the expiration of either engine hours or time limits.

◊It is possible to monitor the operation of the system locally or remotely with the WINDOWS based PC utility program.

◊The unit is designed for front panel mounting. It is fitted into the cut-out with the steel spring removed. Connections are made with 2 part plug and socket connectors.

Pushbutton Controls

STOP / START
 AUTO, TEST, MANUAL
 LCD PAGE

Features

- Automatic mains failure with genset control and protection
- Remote Start operation capability
- Analogue temperature and oil pressure inputs
- Genset KW and Power Factor measurement
- Engine hours run counter
- Periodic maintenance request display
- 165 programmable parameters
- Battery backed-up real time clock
- Weekly operation schedule programs
- Daily, weekly, monthly exerciser
- Event logging with time stamp
- Statistical counters
- Serial RS-232 data output for telemetry on PC
- Free MS-Windows remote monitoring SW
- Configurable analogue inputs: 2
- Configurable digital inputs: 7
- Configurable relay outputs: 2
- Output expansion capability
- Small dimensions (155x115x48mm)

Input Functions display on LCD

Generator Volts	Volts L1-N, L2-N, L3-N
Generator Volts	Volts L1-L2, L2-L3, L3-L1
Generator Amps	Amps L1, L2, L3
Generator Frequency	Hz
Mains Volts	Volts L1-N, L2-N, L3-N
Mains Volts	Volts L1-L2, L2-L3, L3-L1
Mains Frequency	Hz
Engine Speed	RPM
Plant Battery Volts	Volts
Engine Hours Run	Hour
Generator total power	kVA L1, L2, L3, total
Generator total power	kW L1, L2, L3, total
Generator power factor	Cosφ L1, L2, L3, total

Optional Input Functions

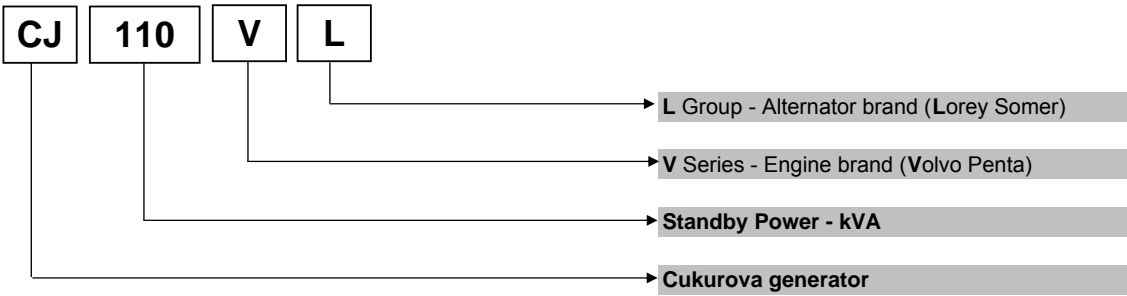
Engine Oil pressure	kPa
Fuel level	%
Engine Temperature	°C

Alarm Channels

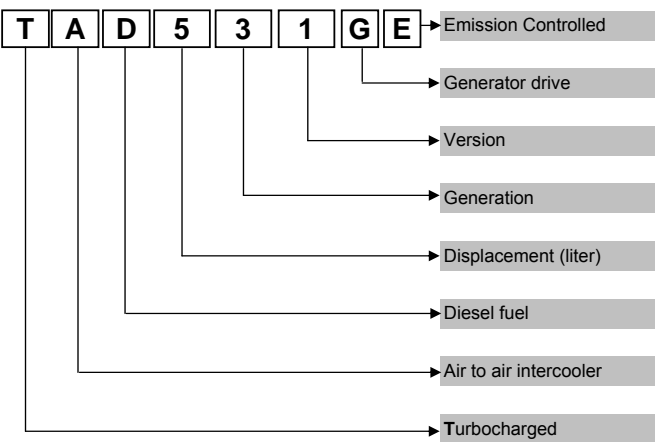
- Under/over generator voltage
- Over-current
- Under/over generator frequency
- Under/over speed
- Charge fail
- Emergency stop
- Low oil pressure
- High engine temperature
- Fail to start
- Low/high DC battery voltage
- Reverse power
- Generator phase rotation error
- Generator short-circuit protection
- Loss of speed sensing signal
- Mains out of limits

Model Codes and General Information

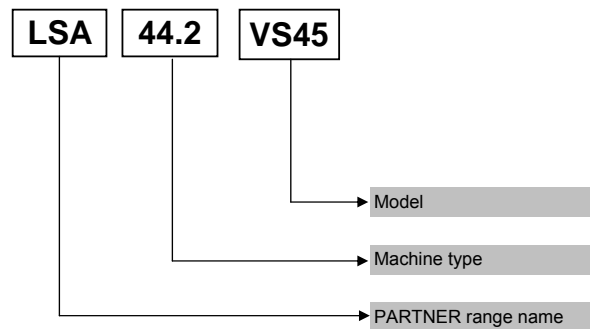
Cukurova Diesel Generator



Volvo Penta Diesel Engine



Leroy Somer Alternator



Information

Power Ratings

Standby power rating is for the supply of emergency power at variable load for the duration of the non-availability of the mains power supply. No overload capacity is available at this rating. A standby rated engine should be sized for an average load factor of 80% based on published standby rating for 500 operating hours per year. Standby ratings should never be applied except in true emergency power failure conditions.

Prime power rating is available for unlimited hours per year with a variable load of which the average engine load factor is 80% of the published power rating, incorporation of a 10% overload for 1 hour in every 12 hours of operation which permitted

Continuous power rating is available for continuous full load operation. No overload is permitted.

Acc. to ISO 3046/1, BS 5514, DIN6271

Electric Formulas

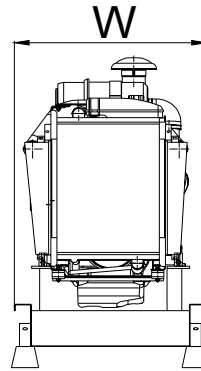
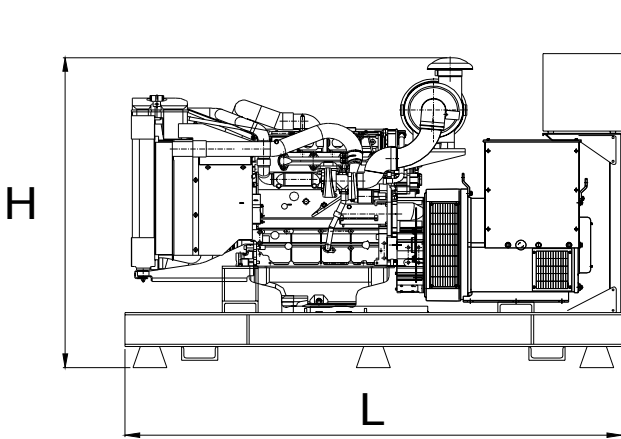
Values	Formula	
kWe	kWm X E	
kWe	$(U \times I \times 1.73 \times pf) / 1000$	kVA x pf
kVA	$(U \times I \times 1.73) / 1000$	kWe / pf
I (Amp)	$(kWe \times 1000) / (U \times 1.73 \times pf)$	$(kVA \times 1000) / (U \times 1.73)$
Frequency	$(Rpm \times N^{\circ}Pole) / (2 \times 60)$	
Rpm	$(2 \times 60 \times Frequency) / N^{\circ}Pole$	

kWm: Mechanical Power
kWe : Electrical Power
pf : Power factor
E : Alternator efficiency

I : Current (A)
U : Voltage (V)
kVA : Power
Rpm: Revolutions per minute

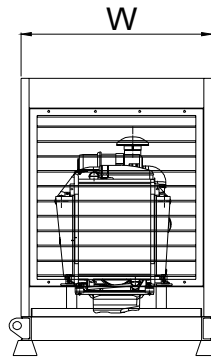
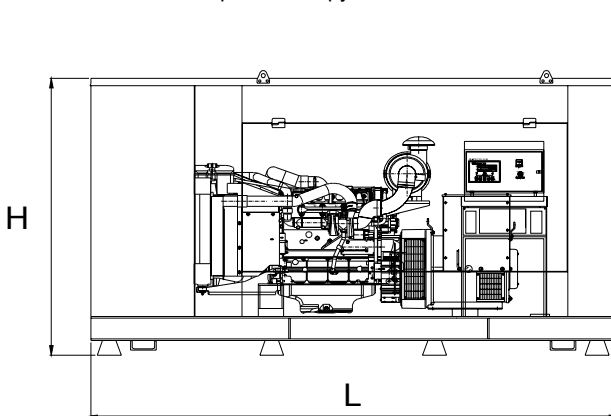
General Dimensions

Standard Generator



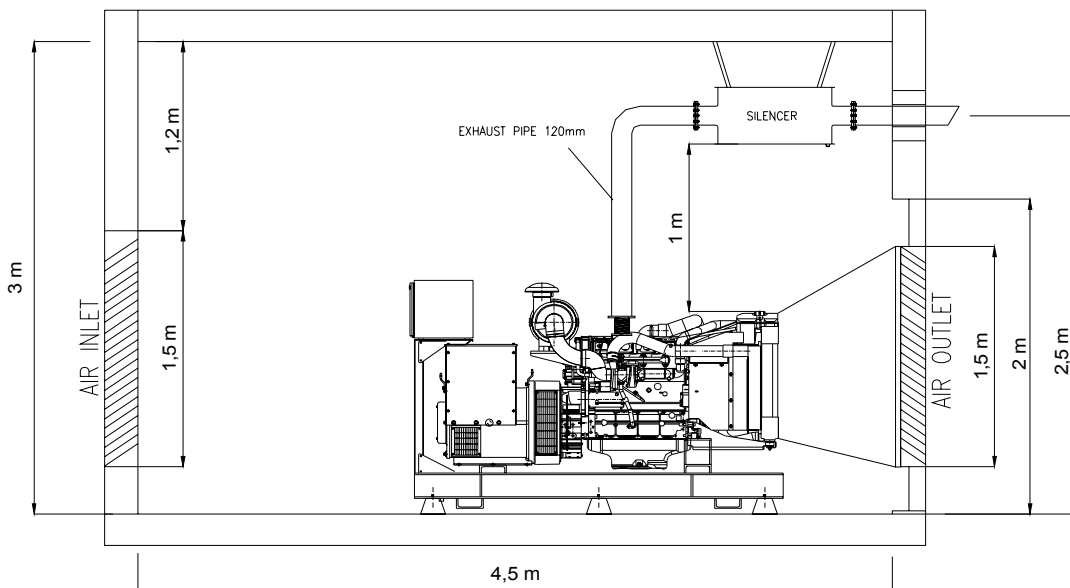
Length, L	2,2 m
Height, H	1,5 m
Width, W	0,85 m
Weight, Total	1350 kg

Generator with Soundproof Canopy




Length, L	3,3 m
Height, H	2 m
Width, W	1,2 m
Weight, Total	1800 kg

Generator Room Layout



Above drawings dimensions and weights are only for guidance. For installation design of your specific application, necessary certified drawings, at site consultancy service as well as maintenance and installations manuals will be provided by Cukurova without any charge.

Specifications may change without notice

	CUKUROVA JENERATOR SANAYII TICARET A.S.	
	<p>Izmir Factory Aegean Free Zone Boss Sokak No:11, Gaziemir Izmir, Turkey Tel : +90 232 252 20 26 Fax : +90 232 252 20 27</p>	<p>Istanbul Export Sales Office Ebulula Mardin Caddesi Maya Meridyen İş Merkezi Kat:4 No: 14 Akatlar Istanbul, Turkey Tel : +90 212 352 70 90 Fax : +90 212 352 12 77 E-mail : info@cukurovapower.com</p>